

## Shutoff valve type A210 / A220

### Application and function

The area of application comprises the entire product range of reflex, transparent and bicolour level gauges. They are used to shut off the level gauge.

### Technical basic equipment

- Body material carbon steel, material as per DIN or ASME
- Inner parts of valve stainless steel
- Handwheel and handlever aluminium
- Process connection PS = 32 bar: DN20 or DN25, PS = 80 bar: DN 25
- Self-closing ball for automatic shutoff in case of glass or mica break
- Version with backseat to release gland packing

### Available (optional) versions

- Quick closing spindle
- Other process connections as per DIN or ASME, butt welding end and socket welding

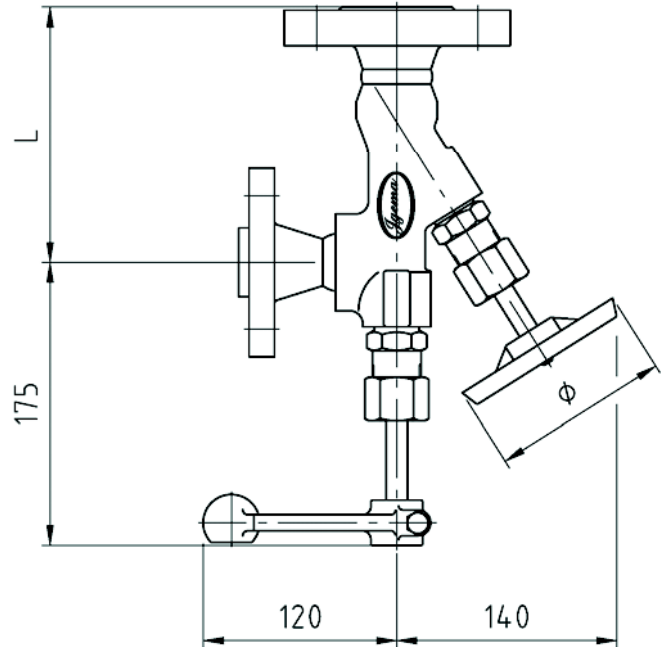
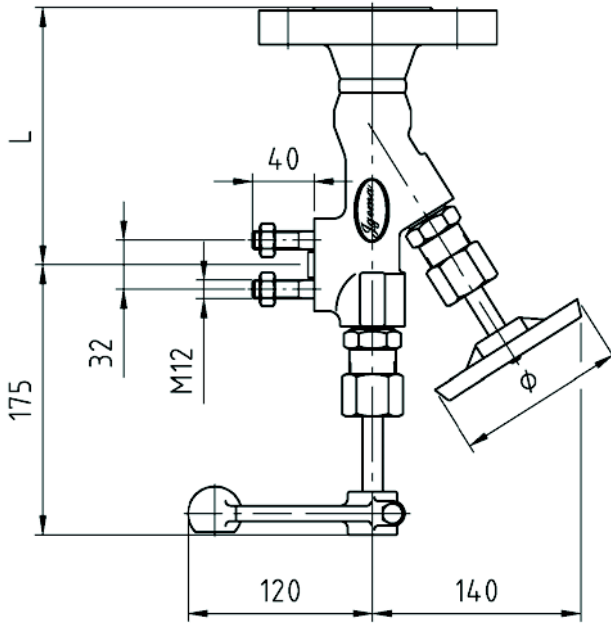
### Technical data

Allowable pressure	PS	[bar]	32	50	80
Allowable temperature	TS	[° C]	239	265	296
Handwheel	∅	[mm]	100		



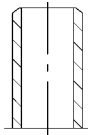
A210 with flange as per DIN

A220 with flange as per DIN

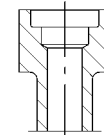


Welding end

Socket Welding



Welding end DIN 3239  
Butt welding end ASME B16.25



Socket welding  
SW ASME B16.11

Allowable pressure PS [bar]	Flange	L [mm]	Welding end	L [mm]
32	DN20 DIN 2635-C	170		
50	DN25 DIN 2638-E	160	DIN 3239	160
80	DN25 DIN 2638-E	160	DIN 3239	160